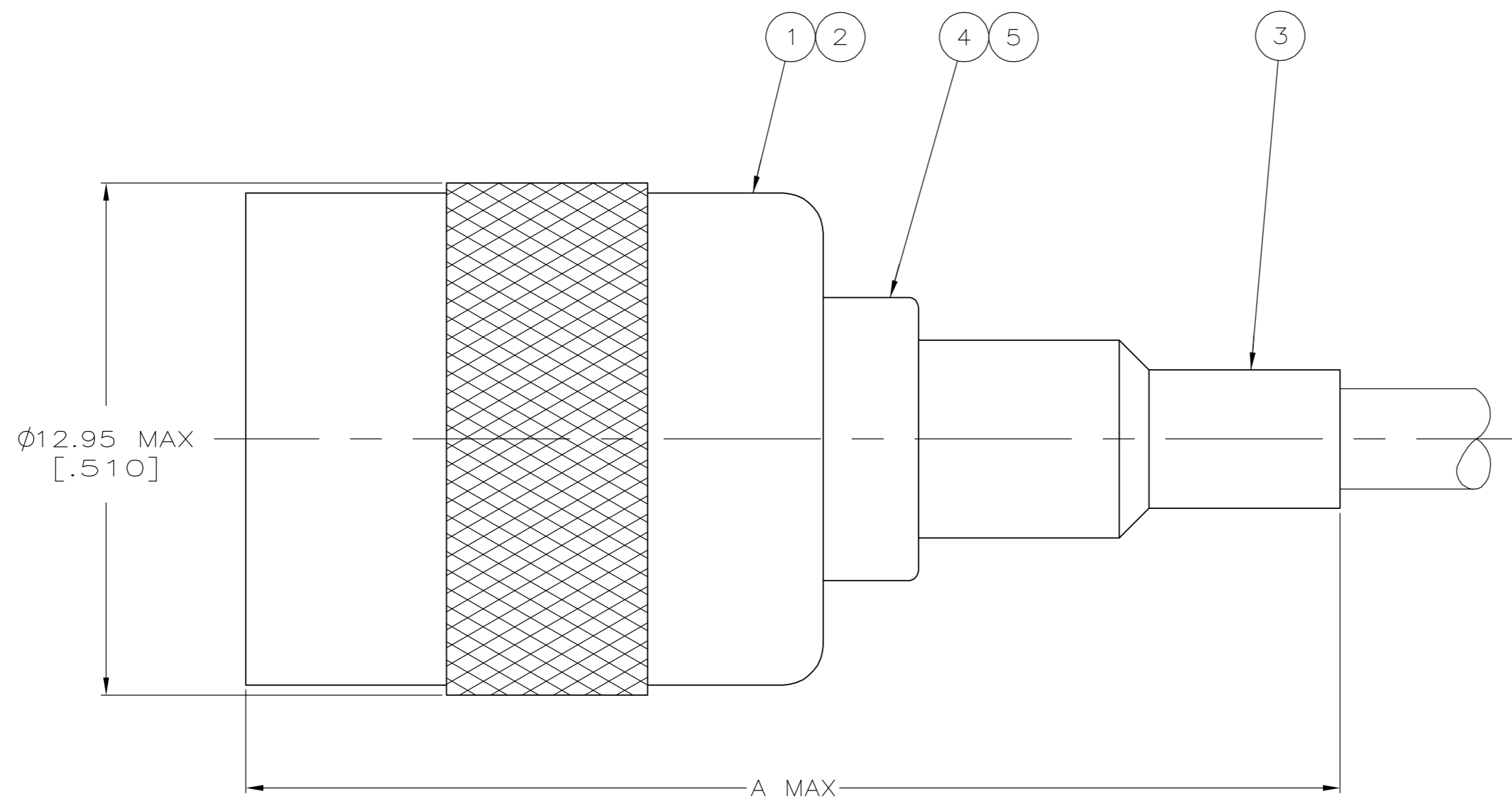
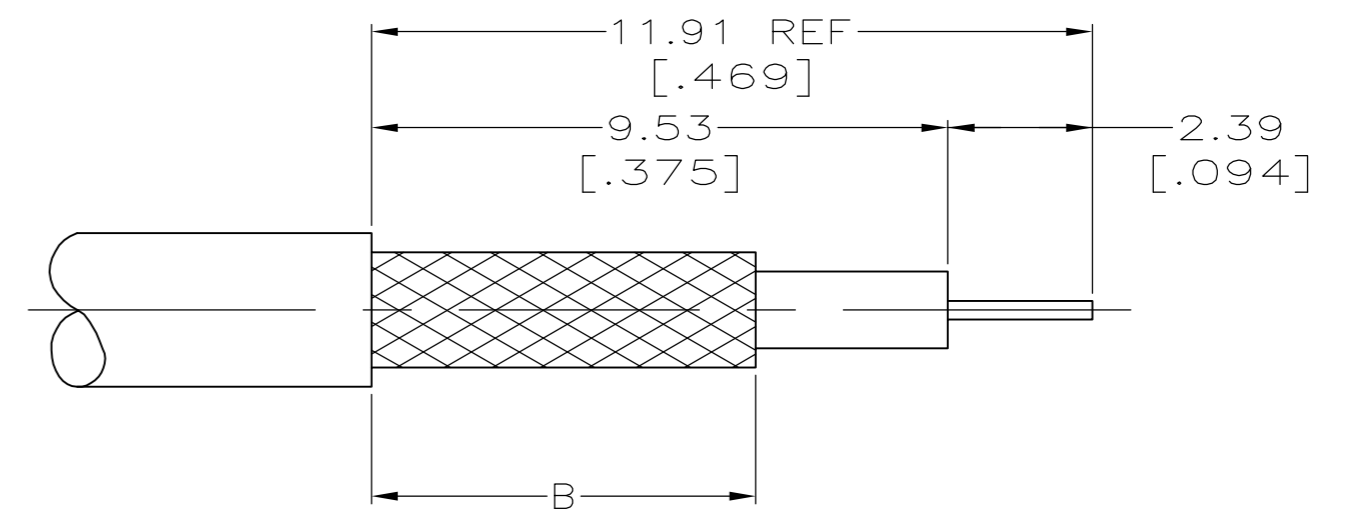


THIS DRAWING IS UNPUBLISHED. RELEASED FOR PUBLICATION
 © COPYRIGHT BY TYCO ELECTRONICS CORPORATION. ALL RIGHTS RESERVED.

LOC	DIST	REVISIONS					
		P	LTR	DESCRIPTION	DATE	DWN	APVD
AJ	16	0		RELEASED PER OS14-0496-04	26JAN2005	JGH	JL



△ USE CRIMP TOOL 220190-1
 2. USE INSTRUCTION SHEET 9540



RECOMMENDED STRIP LENGTH

BELDEN 89248	6.35 [.250]	34.80 [1.370]	58086-1	-	-	9-50427-0	221182-8	221505-4	5221506-6
AT&T 735A	6.35 [.250]	29.46 [1.160]	58174-1	-	-	9-328666-2	221182-6	221505-3	5221506-5
RG-179/U, 179A, 179B, 187/U, 187A	6.35 [.250]	29.46 [1.160]	58304-1	227194-2	222001-2	9-328666-0	1-221182-2	221505-3	5221506-3
BELDEN 9231, 8281	9.53 [.375]	34.29 [1.350]	220189-7	-	-	9-50427-2	1-221182-0	221505-2	5221506-2
FOR USE WITH CABLE	B	A	DIE SET △	5 TUBING, PLASTIC QTY=1	4 TUBING QTY=1	3 FERRULE QTY=1	2 CONTACT QTY=1	1 PLUG ASSEMBLY QTY=1	PART NUMBER

THIS DRAWING IS A CONTROLLED DOCUMENT.

DIMENSIONS: MM [INCHES]	TOLERANCES UNLESS OTHERWISE SPECIFIED:	DWN J. HAVENER 24JAN2005	Tyco Electronics Corporation Harrisburg, PA 17105-3608
	0 PLC ± -	CHK J. HAVENER 26JAN2005	
	1 PLC ± -	APVD J. LIPPERT 26JAN2005	
	2 PLC ± 0.41 [.016]	PRODUCT SPEC	
MATERIAL	FINISH	3 PLC ± -	NAME PLUG
		4 PLC ± -	75 OHM, COMMERCIAL
		ANGLES ± -	TNC
			SIZE A2
			CAGE CODE 00779
			DRAWING NO C=5221506
			RESTRICTED TO
			WEIGHT -
			SCALE 8:1
			SHEET 1 OF 1
			REV 0
			CUSTOMER DRAWING